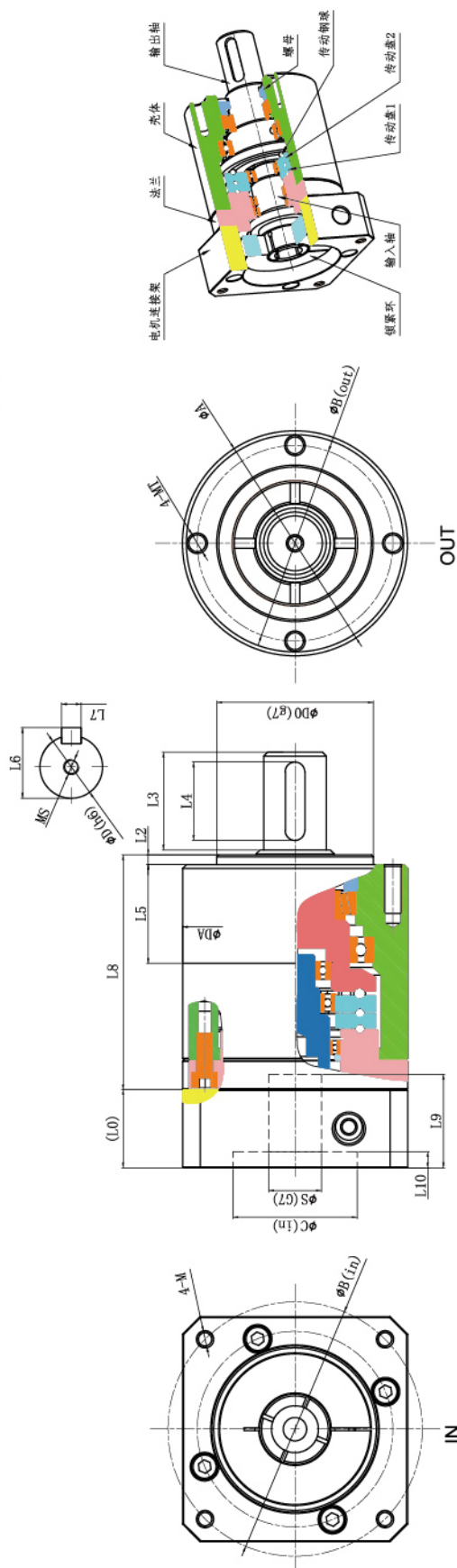
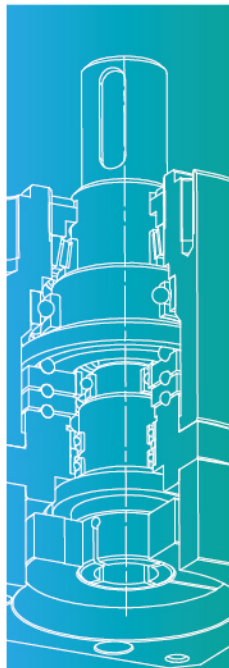


圆筒形铝合金机身
SPL系列
 SPL SERIES CYLINDER ALUMINUM
 HOUSING BODY



SPL系列尺寸
 SPL Series Size(mm)

| 型号 | φA | φB (out) | φB (in) | φC (in) | φD (h6) | φDA | φD0 (g7) | φS (G7) | (L0) | L2 | L3 | L4 | L5 | L6 (0,+0.1) | L7 | L8 | L9 | L10 | 4-M | MS | 4-MT |
|--------|-----|----------|---------|---------|---------|-----|----------|---------|------|----|----|----|------|-------------|----|-----|-----|-----|-----|--------|--------|
| SPL50 | 50 | 44 | 46 | 30 | 13 | 50 | 35 | 12 | 21 | 4 | 20 | 15 | 50 | 15 | 5 | 80 | 30 | 5 | M4 | M5*12 | M4*15 |
| SPL70 | 70 | 62 | 70 | 50 | 16 | 70 | 52 | 14 | 23 | 5 | 30 | 25 | 70 | 18 | 5 | 87 | 42 | 6 | M4 | M5*12 | M5*20 |
| SPL80 | 80 | 70 | 70 | 50 | 16 | 80 | 60 | 14 | 23 | 5 | 30 | 25 | 70 | 18 | 5 | 87 | 42 | 6 | M6 | M5*12 | M6*20 |
| SPL90 | 90 | 80 | 90 | 70 | 22 | 90 | 68 | 19 | 26 | 5 | 36 | 30 | 80 | 24.5 | 6 | 97 | 46 | 6 | M6 | M8*20 | M10*25 |
| SPL120 | 115 | 100 | 130 | 95 | 25 | 115 | 80 | 22 | 40 | 5 | 50 | 40 | 95 | 28 | 8 | 115 | 71 | 8 | M8 | M10*25 | M10*25 |
| SPL140 | 142 | 120 | 145 | 110 | 32 | 142 | 100 | 35 | 53 | 5 | 80 | 55 | 115 | 36 | 10 | 135 | 83 | 8 | M8 | M12*25 | M10*25 |
| SPL160 | 180 | 145 | 200 | 114 | 40 | 165 | 130 | 42 | 55 | 5 | 80 | 55 | 82.5 | 43 | 12 | 165 | 88 | 8 | M12 | M16*36 | M12*25 |
| SPL200 | 220 | 185 | 215 | 180 | 50 | 205 | 160 | 55 | 60 | 6 | 80 | 65 | 96.5 | 54 | 14 | 190 | 100 | 8 | M12 | M20*40 | M12*25 |

1. NA尺寸由适配电机确定